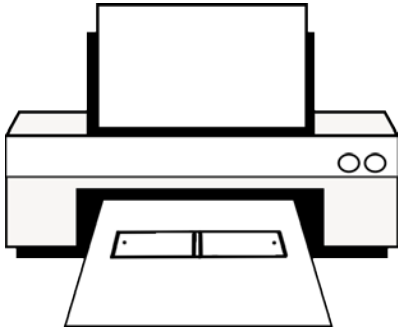




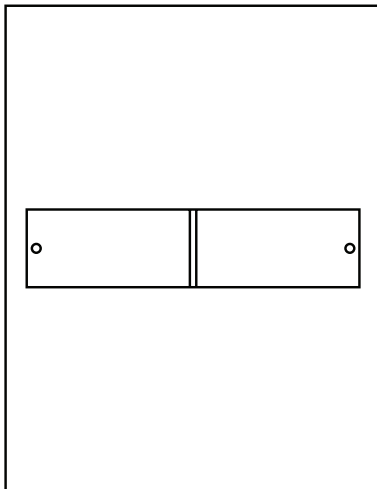
# SET UP INSTRUCTIONS

**Once you have set up your artwork using the Accentuate Design Engine:**

1. Open your print ready PDF the Design Engine has produced.
2. Place pre perforated sheets in printer making sure the white side of the sheet is facing the side that prints.



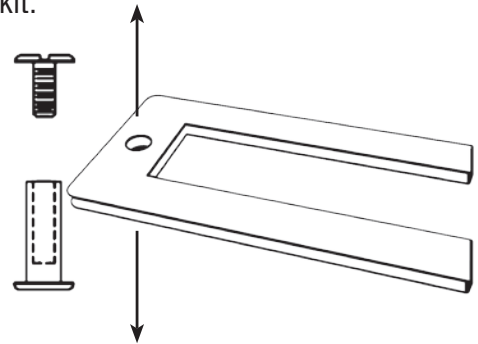
3. Print the PDF making sure to use the letter setting @100%



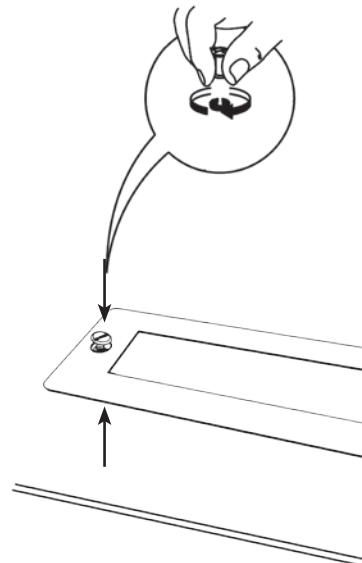
4. Pre fold on perforations and remove printed artwork.



5. Unscrew fastener and slide clip of the edge of your kit.



6. Wrap your artwork around the recessed area, slide clip over your art and affix fastener.



.....**Done:)**